



# SBR 1000

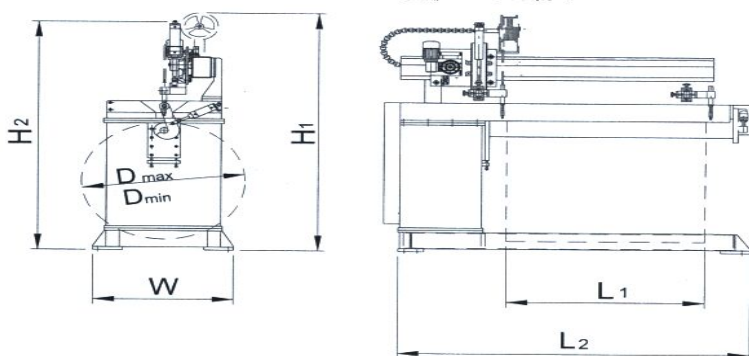
Banco di bloccaggio per saldatura 1000 mm di lunghezza.  
Tubo di appoggio con barra di supporto in lega di rame;  
la barra, disponibile con raffreddamento ad acqua, può  
essere fornita con fori di insufflaggio gas. Centratore  
longitudinale pneumatico. Gli SBR sono forniti in versione Tig, Mig o  
arco sommerso.

Longitudinal seam welding positioner; models 1000 mm. of welding  
length. Support pipe incorporating copper alloy back-up bar Available  
with gas inlet holes and water cooled. Pneumatically operated  
longitudinal alignment device. SBR positioners are available in Tig,  
Mig or submerged arc version.

Banc de blocage pour soudage 1000 mm de longueur. Tube d' appui  
avec baguette de support en alliage de cuivre; la baguette, disponible  
avec refroidissement à eau, peut être fournie avec des trous d' insuflation du gaz. Centreur longitudinal pneumatique.  
Les SBR sont fournis dans les modèles Tig, Mig ou à l' arc submergé.

Längsnahtschweißvorrichtung für Schweißungen 1000 mm Länge. Auflagerrohr mit Halterungsstange aus Kupfer-  
legierung; die Stange, die auch mit Wasserkühlung lieferbar ist, kann mit Bohrungen für das Formieren geliefert werden.  
Pneumatische Zentriervorrichtung in Längsrichtung. Die SBR werden in den Ausführungen Tig, Mig oder für Unter-  
pulverschweißung geliefert.

Banco de bloqueo para soldar 1000 mm de longitud. Tubo de apoyo con barra de soporte en aleación de cobre; la barra,  
disponible con refrigeración por agua, puede ser suministrada con agujeros de insuflación de gas. Centrador  
ongitudinal neumático. Los SBR son suministrados en versión Tig, Mig o arco sumergido.



SBR 1000
L1 mm = 1000
Dmin mm = 160
Dmax mm = 800
mm/1' = 150-3000
L2 mm = 2070
W mm = 1000
H1 mm = 1700
Kg/m = 1000
mm = 0.8-3
Volt = 1x230
Volt = 24
L2xWxH2 mm = 2070x1000x2100

ITEM	DESCRIPTION	PRICE CHF
SBR 1000	Longitudinal seam welding positioner. Welding length 1000 mm.; Standard diameter of part to be welded: min. 160 mm., max 800 mm. Thickness od weldable coil standard: min. 0,8 mm., max 3 mm.	Mig Version: 63935.00 TIG/Plasma Version: 61655.00
SBR/SBA	Non-magnetic bearing bar	1550.00
SBR/GRB	Cooling bar group	1805.00
SBR/IGPS	Welding protection gas input (Tig and Plasma)	1235.00
SBR/AFF	Cold wire feed (Tig)	8740.00
SBR/AVC	AVC torch length sensor (Tig and Plasma)	16150.00
SBR/SVRM	Manual adjusting ferrule bearing	4180.00
SBM/SBRO	Oleo dynamic adjusting ferrule bearing	12255.00
SBR/RBRT	Copper bar spare part Tig-Plasma	1615.00
SBR/RBRM	Copper bar spare part Mig and SubArc	1425.00

Common technical characteristics: electro-welded frame made by steel; back-up mandrel with Cu-Cr-Zr back-up bar; predisposition for back-up bar cooling; Travelling car including torch support with pneumatic control; pneumatic front side mandrel lock; pneumatic longitudinal alignment device; control panel.