



# SP 1750 EI

Posizionatore a tavola rotante portata 1750 Kg.  
Rotazione con motore auto-frenante a corrente continua, riduttore a vite senza fine e ralla a sfere  
Inclinazione con motore elettrico (E).

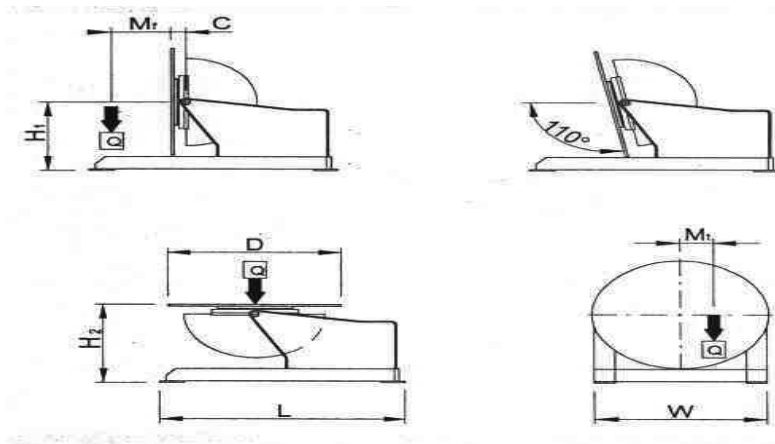
Turntable type positioner maximum load 1750 Kg.  
Slewing by DC selfbraking motor through worm and ball slewing ring. Tilt: with electric motor (E).

Positionneur à table rotative portée 1750 Kg.  
Rotation avec moteur automaintenu à courant continu, réducteur à vis sans fin et butée à billes.  
Inclinaison avec moteur électrique (E).

Drehtisch-Positionervorrichtungen Tragkraft  
1750 Kg. Rotation mit selbstbremsenden  
Gleichstrommotor, Endlosschneckenuntersetzung  
und Kugelscheibe. Schwenkung mit Elektromotor  
(E).



Posicionadores de mesa giratoria portal 1750 Kg. Rotación por motor freno de corriente continua, reductor de tornillo sin fin y rangua de bolas. Inclinación con motor eléctrico (E).



SP 1750 EI
Q kg = 1750
Mt da Nm = 148
Mf da Nm = 420
D mm = 900
H1 mm = 825
H2 mm = 980
C mm = 110
L mm = 1350
W mm = 1020
Rpm = 0.15-1.5
Sec. = 80
Volt. = 3x380
Volt. = 24
LxWxH2 mm = 1350x1020x980
Kg = 700

ITEM	DESCRIPTION	PRICE CHF
SP 1750-EI	Turntable manual tilt. With pedal	24320.00
SP/SOR	Stop at 360°; adjustable overwelding function and auto return to “ 0”	1550.00
BPT300 M	Pneumatically actuated torch arm for Mig welding	2945.00
BPT300 T	Pneumatically actuated torch arm for Tig welding	3705.00
SP/PMA	Single pedal control (start-stop) with mt.5 (197” ) connection cable	228.00
SP/TMA	Start-stop control with botton and 5 mt. (197” ) connection cable	342.00
SP/TTA	Table delayed start device for TIG welding	988.00
SP/VL	Display LCD	608.00
SP/GR1	1-way rotating coupling for air or gas	551.00
SP/GR2	2-way rotating coupling for water	646.00
SP/SCH	Hi-frequency shielding	570.0

#### Packaging

Plants are usually supplied protected by a film, wooden crates are available on request with surcharge: 70 CHF NET