



SP 25000 H

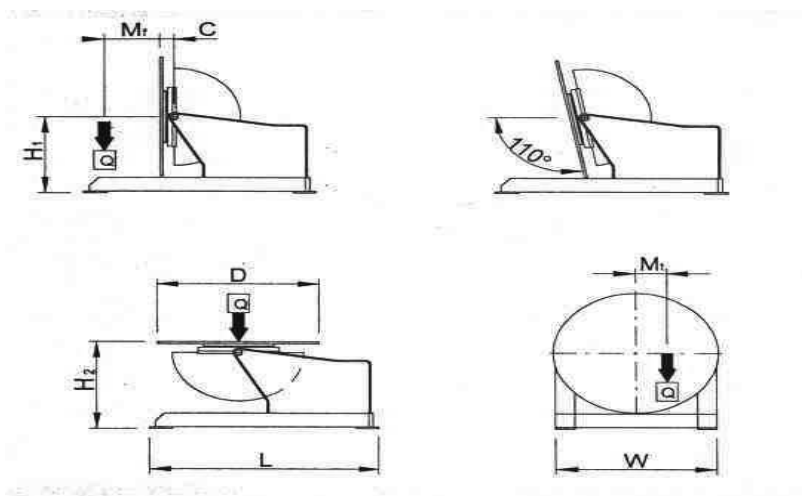
Posizionatore a tavola rotante portata 25000 Kg.
Rotazione con motore autofrenante a corrente continua, riduttore a vite senza fine e ralla a sfere
Inclinazione con cilindro idraulico (H).

Turntable type positioner maximum load 25000 Kg.
Slewing by DC selfbraking motor through worm and ball slewing ring. Tilt: by hydraulic ram (H).

Positionneur à table rotative portée 25000 Kg.
Rotation avec moteur automaintenu à courant continu, réducteur à vis sans fin et butée à billes.
Inclinaison avec cylindre hydraulique (H).

Drehtisch-Positionervorrichtungen Tragkraft
25000 Kg. Rotation mit selbstbremsenden
Leichtstrommotor, Endlosschneckenuntersetzung
und Kugelscheibe. Schwenkung mit Hydraulikzylinder (H).

Posicionadores de mesa giratoria portal 25000 Kg. Rotación por motor freno de corriente continua,
reductor de tornillo sin fin y rangua de bolas. Inclinaçión con cilindro hidráulico (H).



SP 25000 H
Q kg = 25000
Mt da Nm = 3000
Mf da Nm = 9000
D mm = 2500
H1 mm = 1800
H2 mm = 2100
C mm = 300
L mm = 4000
W mm = 2300
Rpm = 0.017-0.25
Sec. = 190
Volt. = 3x380
Volt. = 24
LxWxH2 mm = 4000x2500x2100
Kg = 9000

ITEM	DESCRIPTION	PRICE CHF
SP 25000-H	Turntable manual tilt. With pedal	153140.00
SP/SOR	Stop at 360°; adjustable overwelding function and auto return to “ 0”	1550.00
BPT300 M	Pneumatically actuated torch arm for Mig welding	2945.00
BPT300 T	Pneumatically actuated torch arm for Tig welding	3705.00
SP/PMA	Single pedal control (start-stop) with mt.5 (197”) connection cable	228.00
SP/TMA	Start-stop control with botton and 5 mt. (197”) connection cable	342.00
SP/TTA	Table delayed start device for TIG welding	988.00
SP/VL	Display LCD	608.00
SP/GR1	1-way rotating coupling for air or gas	551.00
SP/GR2	2-way rotating coupling for water	646.00
SP/SCH	Hi-frequency shielding	570.00

Packaging

Plants are usually supplied protected by a film, wooden crates are available on request with surcharge: 70 CHF NET